

# Vistek Technology Product Catalog

- Switching Power Supply
- Transformer
- LED Driver
- Power Cables
- Cables Collections



## Company Profile

Vistek Technology was founded in 2006, only several years of development, vistek has developed into a high-tech power enterprise with R&D, Manufacturer, sales and service, and setup branches and offices in USA, Europe, HK, Shanghai.

Vistek manufactures reliable Switching power supply, LED Driver, charger, Power cables, Guaranteed and supported by advanced and high-efficient management and testing technology, vistek dedicates to professional and individualized solutions for global branded consumer electronics and LED lighting, and our Products are exported far to North America, Europe, Asia East and Australia and other countries adopted by world famous enterprises.

All products are complied with the safety and EMC standards, such as GS/CE, UL/cUL, DOFT, BS, CCC, KCC, PSE, EMC, FCC, C-Tick etc. Vistek is committed to environmental protection and has implemented green manufacturing processes, Currently we passed the ISO9001:2008 Quality Control System and ISO14001:2001 Environment standards and EUP, Energy star, KEMCO, MEPS efficiency directive level V.

" Supreme Quality, Sincere Service, Customer Satisfaction, Excellence Products " are our tenets, perfect product designing to fulfill different customer needs, perfect service and professional tracking after sold. To be a competitive player in the electric manufacturing market, Vistek never stop seizing the market trends and customer needs, and this is the reason why keep research and develop new products endlessly. we are very glad to offer service for you in future.



## >>Catalog Contents

- About Vistek.....P02
- Switching Power Supply.....P08
- Transformer.....P18
- LED Driver.....P20
- Power Cable.....P22
- Cables Collections.....P30

## R&D Center

Vistek Technology is a high-tech enterprise and paying a more attention to the developments in the R&D department. We spent a great deal of human and money to make the company has a high quality R&D team, we can customize all kinds of efficient, stable, high quality of power supply products according to customer requirements.



## Quality Policy

- Supreme quality
- Paramount Customer
- Full Member Joining
- Developing and Innovation

## Environmental Policy

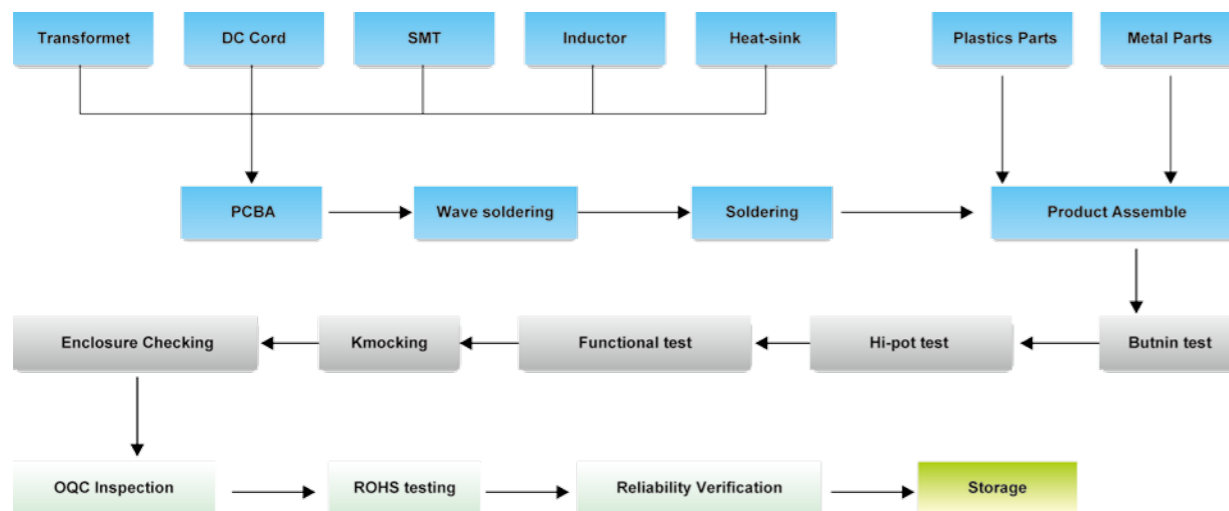
- Saving Resource
- Preventing Pollution
- Following Statute
- Beatifying Environment
- Persisting Improvement
- Satisfying Everyone



## Manufacturing Control



## Manufacture Flow

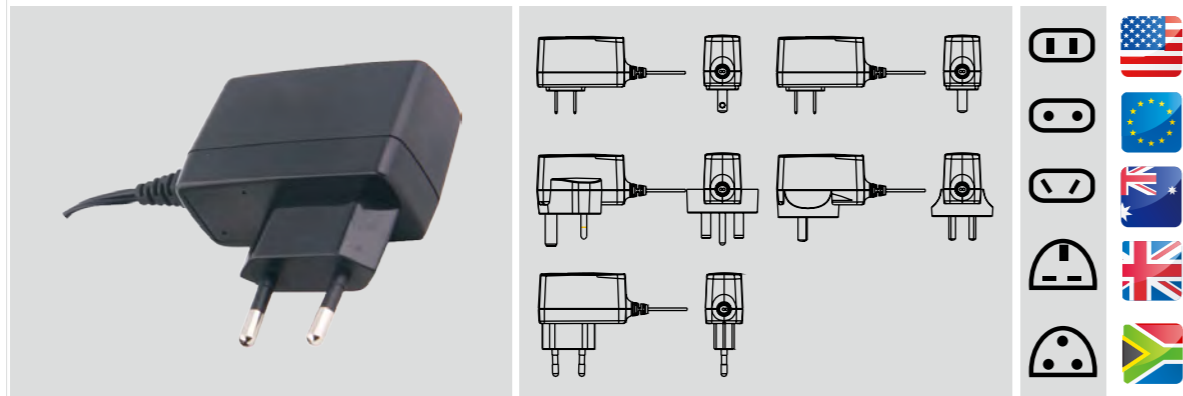


## Main Products

- AC/DC Enclosed Switching Power Supply
- AC/DC Open Frame Switching Power Supply
- LED Driver
- USB Charger and car Charger



### 3.6W Series AC Adapter



#### Specification

Input Voltage Range:90-264Vac  
 Input Frequency Range:47-63HZ  
 Input Current;0.12A max  
 Inrush Current:60A at 230Vac, Cold Star,25°C  
 Efficiency Level: V  
 Ripple and Noise:50-120mV  
 Altitude:2000m

#### Key Features

Light, Extra, Human Mechanics Design compact  
 High efficiency green power, full complies with CEC level V, MEPS V EUP2010  
 Extra safe protection function design with respective safety approvals

#### Safety Parameter

Operation Temp:0-45°C  
 Abnormal Sound:40db max.,no sound room  
 Leakage Current:<0.25mA  
 Insulation Resistance:50M ohm min  
 Dielectric Withstanding Strength:3000Vac,60Sec

Suitable for an extremely wide range of applications  
 such as: Mobile phone/Pos/Set-top-box/ADSL/Hard disk drive/AV produt/household appliance etc.

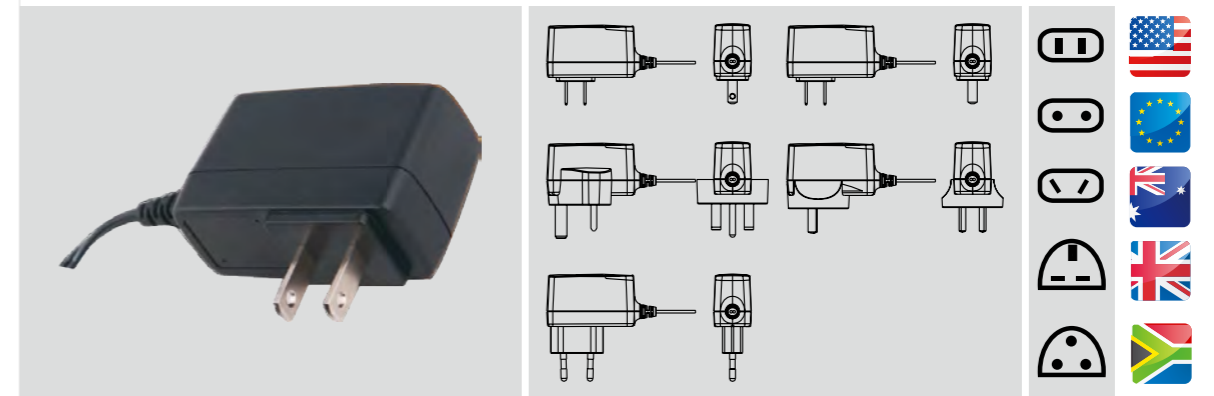
#### DC Jack



#### Reliability

MTBF:50000 Hours  
 Electroanalysis Capacitor Life:>12000 Hours  
 Thermal Derating:<80%  
 Drop:1000mm to concrete  
 Model Number Rules

### 5W Series AC Adapter



#### Specification

Input Voltage Range:90-264Vac  
 Input Frequency Range:47-63HZ  
 Input Current;0.15A max  
 Inrush Current:60A at 230Vac, Cold Star,25°C  
 Efficiency Level:V  
 Ripple and Noise:80-160mV  
 Altitude:2000m

#### Key Features

Light, Extra, Human Mechanics Design compact  
 High efficiency green power, full complies with CEC level V, MEPS V EUP2010  
 Extra safe protection function design with respective safety approvals

#### Safety Parameter

Operation Temp:0-45°C  
 Abnormal Sound:40db max.,no sound room  
 Leakage Current:< 0.25mA  
 Insulation Resistance:50M ohm min  
 Dielectric Withstanding Strength:3000Vac,60Sec

Suitable for an extremely wide range of applications  
 such as: Mobile phone/Pos/Set-top-box/ADSL/Hard disk drive/AV produt/household appliance etc.

#### DC Jack

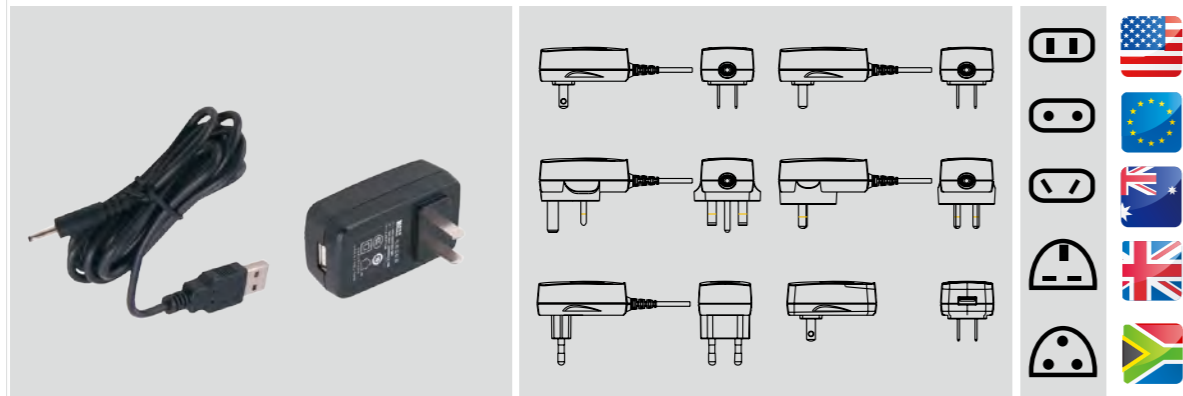


#### Reliability

MTBF:50000 Hours  
 Electroanalysis Capacitor Life:>12000 Hours  
 Thermal Derating:<80%  
 Drop:1000mm to concrete



### 7.5W Series AC Adapter



#### Specification

Input Voltage Range: 90-264Vac  
 Input Frequency Range: 47-63HZ  
 Input Current: 0.18A max  
 Inrush Current: 60A at 230Vac, Cold Star, 25°C  
 Efficiency Level: V  
 Ripple and Noise: 100-180mV  
 Altitude: 2000m

#### Safety Parameter

Operation Temp: 0-40°C  
 Abnormal Sound: 40db max., no sound room  
 Leakage Current: < 0.25mA  
 Insulation Resistance: 50M ohm min  
 Dielectric Withstanding Strength: 3000Vac, 60Sec

#### Reliability

MTBF: 50000 Hours  
 Electroanalysis Capacitor Life: >12000 Hours  
 Thermal Derating: <80%  
 Drop: 1000mm to concrete

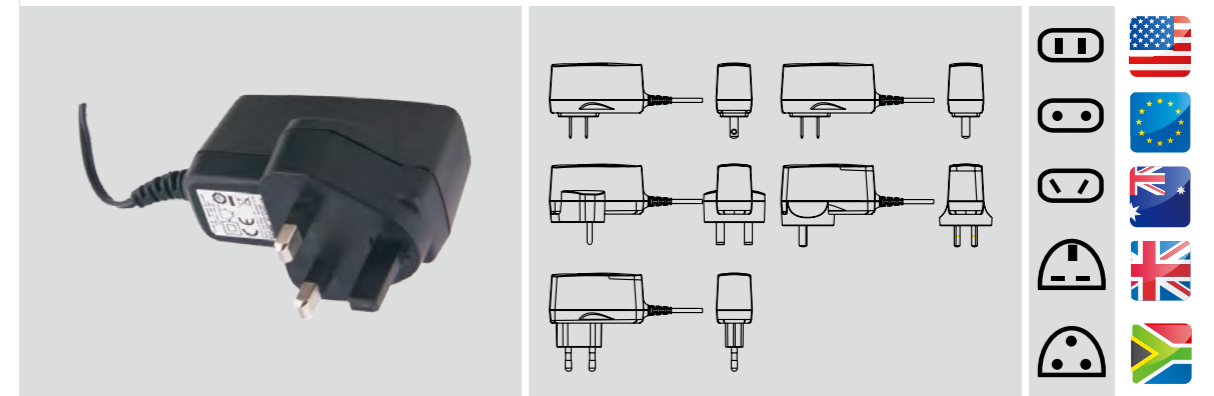
#### Key Features

Light, Extra, Human Mechanics Design compact  
 High efficiency green power, full complies with CEC level V, MEPS V EUP2010  
 Extra safe protection function design with respective safety approvals  
 Suitable for an extremely wide range of applications

#### DC Jack



### 10W Series AC Adapter



#### Specification

Input Voltage Range: 90-264Vac  
 Input Frequency Range: 47-63HZ  
 Input Current: 0.3A max  
 Inrush Current: 60A at 230Vac, Cold Star, 25°C  
 Efficiency Level: V  
 Ripple and Noise: 120-180mV  
 Altitude: 2000m

#### Safety Parameter

Operation Temp: 0-40°C  
 Abnormal Sound: 40db max., no sound room  
 Leakage Current: <0.25mA  
 Insulation Resistance: 50M ohm min  
 Dielectric Withstanding Strength: 3000Vac, 60Sec

#### Reliability

MTBF: 50000 Hours  
 Electroanalysis Capacitor Life: >12000 Hours  
 Thermal Derating: <80%  
 Drop: 1000mm to concrete

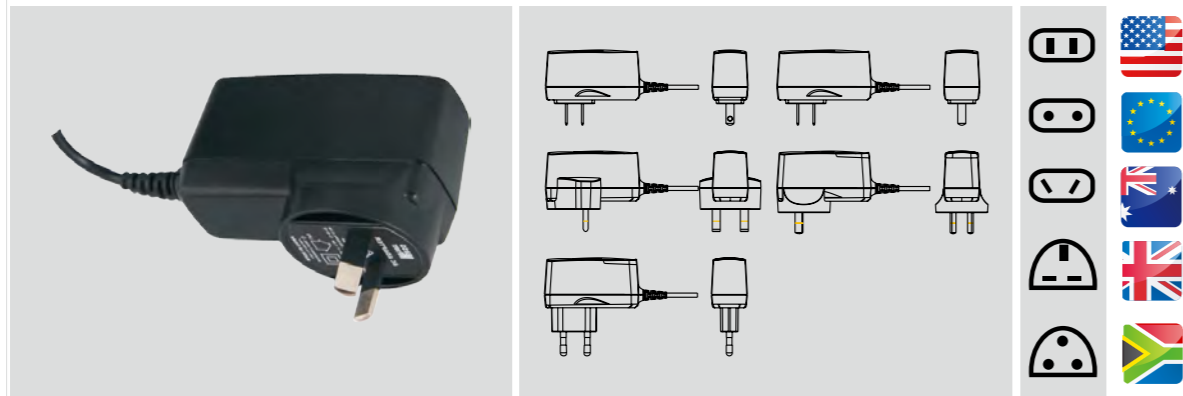
#### Key Features

Light, Extra, Human Mechanics Design compact  
 High efficiency green power, full complies with CEC level V, MEPS V EUP2010  
 Extra safe protection function design with respective safety approvals  
 Suitable for an extremely wide range of applications

#### DC Jack



### 12W Series AC Adapter



#### Specification

Input Voltage Range: 90-264Vac  
 Input Frequency Range: 47-63HZ  
 Input Current: 0.3A max  
 Inrush Current: 60A at 230Vac, Cold Star, 25°C  
 Efficiency Level: V  
 Ripple and Noise: 100-180mV  
 Altitude: 2000m

#### Key Features

Light, Extra, Human Mechanics Design compact  
 High efficiency green power, full complies with CEC level V, MEPS V EUP2010  
 Extra safe protection function design with respective safety approvals

#### Safety Parameter

Operation Temp: 0-40°C  
 Abnormal Sound: 40db max.,no sound room  
 Leakage Current: <0.25mA  
 Insulation Resistance: 50M ohm min  
 Dielectric Withstanding Strength: 3000Vac, 60Sec

Suitable for an extremely wide range of applications  
 such as: Mobile phone/Pos/Set-top-box/ADSL/Hard disk drive/AV produt/household appliance etc.

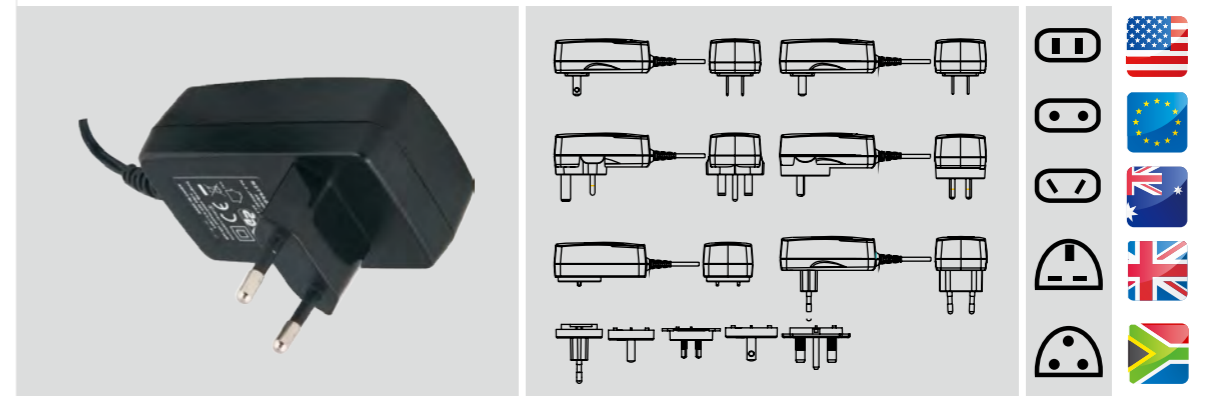
#### DC Jack



#### Reliability

MTBF: 50000 Hours  
 Electroanalysis Capacitor Life: >12000 Hours  
 Thermal Derating: <80%  
 Drop: 1000mm to concrete

### 18W Series AC Adapter



#### Specification

Input Voltage Range: 90-264Vac  
 Input Frequency Range: 47-63HZ  
 Input Current: 0.3A max  
 Inrush Current: 60A at 230Vac, Cold Star, 25°C  
 Efficiency Level: V  
 Ripple and Noise: 120-180mV  
 Altitude: 2000m

#### Key Features

Light, Extra, Human Mechanics Design compact  
 High efficiency green power, full complies with CEC level V, MEPS V EUP2010  
 Extra safe protection function design with respective safety approvals

#### Safety Parameter

Operation Temp: 0-40°C  
 Abnormal Sound: 40db max.,no sound room  
 Leakage Current: <0.25mA  
 Insulation Resistance: 50M ohm min  
 Dielectric Withstanding Strength: 3000Vac, 60Sec

Suitable for an extremely wide range of applications  
 such as: Mobile phone/Pos/Set-top-box/ADSL/Hard disk drive/AV produt/household appliance etc.

#### DC Jack

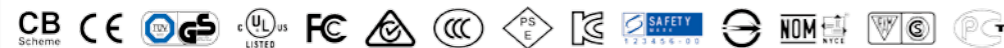
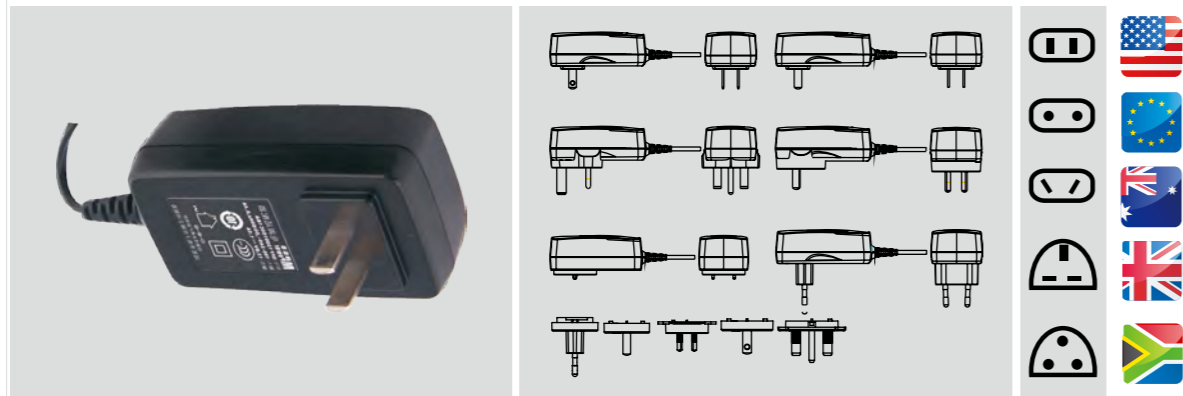


#### Reliability

MTBF: 50000 Hours  
 Electroanalysis Capacitor Life: >12000 Hours  
 Thermal Derating: <80%  
 Drop: 1000mm to concrete



### 25W Series AC Adapter



#### Specification

Input Voltage Range: 90-264Vac  
 Input Frequency Range: 47-63HZ  
 Input Current: 0.6A max  
 Inrush Current: 60A at 230Vac, Cold Star, 25°C  
 Efficiency Level: V  
 Ripple and Noise: 100-200mV  
 Altitude: 2000m

#### Safety Parameter

Operation Temp: 0-40°C  
 Abnormal Sound: 40db max.,no sound room  
 Leakage Current: <0.25mA  
 Insulation Resistance: 50M ohm min  
 Dielectric Withstanding Strength: 3000Vac, 60Sec

#### Reliability

MTBF: 50000 Hours  
 Electroanalysis Capacitor Life: >12000 Hours  
 Thermal Derating: <80%  
 Drop: 1000mm to concrete

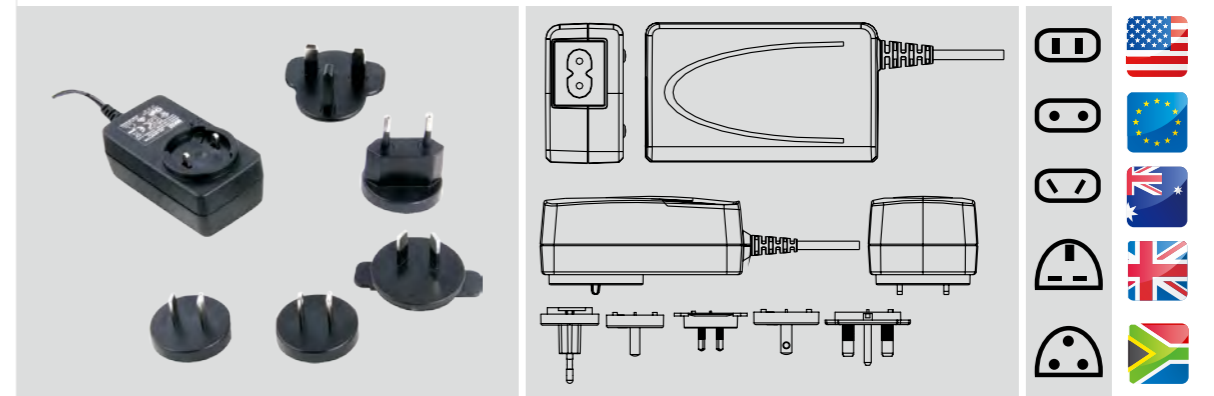
#### Key Features

Light, Extra, Human Mechanics Design compact  
 High efficiency green power, full complies with CEC level V, MEPS V EUP2010  
 Extra safe protection function design with respective safety approvals  
 Suitable for an extremely wide range of applications

#### DC Jack



### 36W Series AC Adapter



#### Specification

Input Voltage Range: 90-264Vac  
 Input Frequency Range: 47-63HZ  
 Input Current: 1.0A max  
 Inrush Current: 60A at 230Vac, Cold Star, 25°C  
 Efficiency Level: V  
 Ripple and Noise: 100-200mV  
 Altitude: 2000m

#### Safety Parameter

Operation Temp: 0-40°C  
 Abnormal Sound: 40db max.,no sound room  
 Leakage Current: <0.25mA  
 Insulation Resistance: 50M ohm min  
 Dielectric Withstanding Strength: 3000Vac, 60Sec

#### Reliability

MTBF: 50000 Hours  
 Electroanalysis Capacitor Life: >12000 Hours  
 Thermal Derating: <80%  
 Drop: 1000mm to concrete

#### Key Features

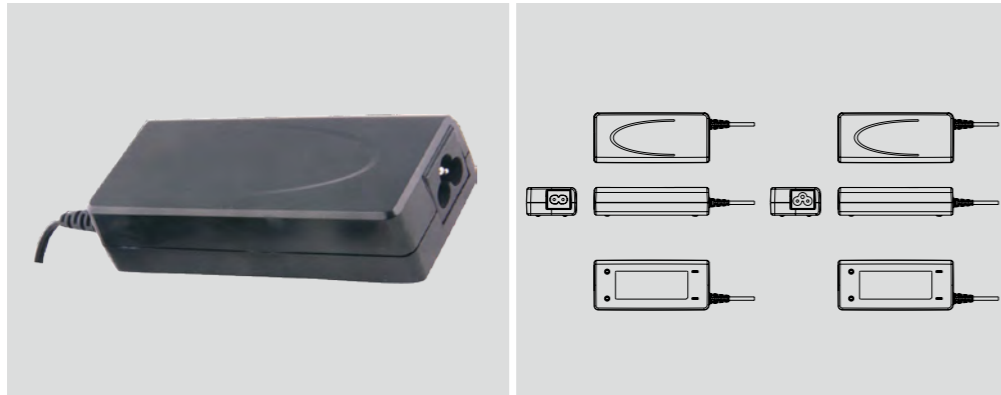
Light, Extra, Human Mechanics Design compact  
 High efficiency green power, full complies with CEC level V, MEPS V EUP2010  
 Extra safe protection function design with respective safety approvals  
 Suitable for an extremely wide range of applications

#### DC Jack





### 65W Series Switching Power Supply



#### Specification

Input Voltage Range: 90-264Vac  
 Input Frequency Range: 47-63HZ  
 Input Current: 1.2A max  
 Inrush Current: 60A at 230Vac, Cold Star, 25°C  
 Efficiency Level: V  
 Ripple and Noise: 100-200mV  
 Altitude: 2000m

#### Safety Parameter

Operation Temp: 0-40°C  
 Abnormal Sound: 40db max.,no sound room  
 Leakage Current: <0.25mA  
 Insulation Resistance: 50M ohm min  
 Dielectric Withstanding Strength: 3000Vac, 60Sec

#### Reliability

MTBF: 50000 Hours  
 Electroanalysis Capacitor Life: >12000 Hours  
 Thermal Derating: <80%  
 Drop: 1000mm to concrete

#### Key Features

Light, Extra, Human Mechanics Design compact  
 High efficiency green power, full complies with CEC level V, MEPS V EUP2010  
 Extra safe protection function design with respective safety approvals  
 Suitable for an extremely wide range of applications

such as: Mobile phone/Pos/Set-top-box/ADSL/Hard disk drive/AV produt/household appliance etc.

#### DC Jack



### 90W Series Switching Power Supply



#### Specification

Input Voltage Range: 90-264Vac  
 Input Frequency Range: 47-63HZ  
 Input Current: 1.3A max  
 Inrush Current: 60A at 230Vac, Cold Star, 25°C  
 Efficiency Level: V  
 Ripple and Noise: 100-200mV  
 Altitude: 2000m

#### Safety Parameter

Operation Temp: 0-40°C  
 Abnormal Sound: 40db max.,no sound room  
 Leakage Current: <0.25mA  
 Insulation Resistance: 50M ohm min  
 Dielectric Withstanding Strength: 3000Vac, 60Sec

#### Reliability

MTBF: 50000 Hours  
 Electroanalysis Capacitor Life: >12000 Hours  
 Thermal Derating: <80%  
 Drop: 1000mm to concrete

#### Key Features

Light, Extra, Human Mechanics Design compact  
 High efficiency green power, full complies with CEC level V, MEPS V EUP2010  
 Extra safe protection function design with respective safety approvals  
 Suitable for an extremely wide range of applications

such as: Mobile phone/Pos/Set-top-box/ADSL/Hard disk drive/AV produt/household appliance etc.

#### DC Jack



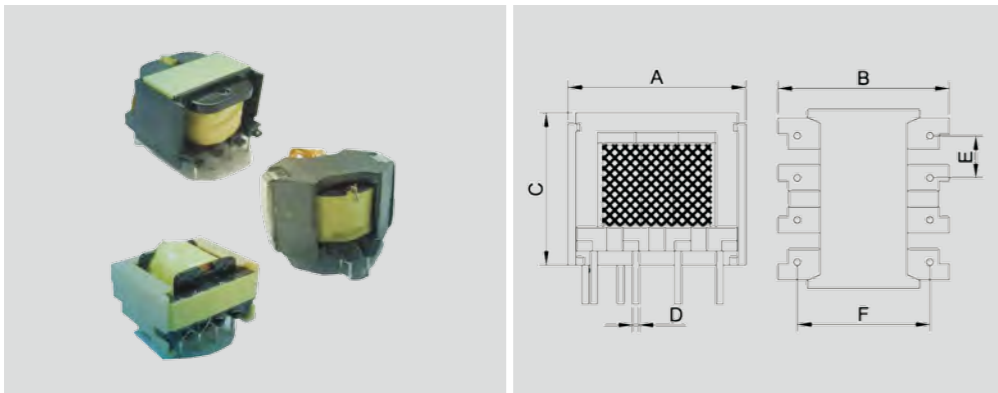
### Car Charger



#### General Characteristic

Input Voltage: 12V/24V  
 Protection: Over Voltage Protection, Over Current Protection  
 Short Circuit Protection  
 Temperature: Less than 60°C  
 Continue working time: Less than 16 hours  
 EMC: e-mark e24, e8  
 Efficiency Level: IV

### Transformer



#### Feature

1. Small distributing Capacitance, High impedance
2. High Resistance, Wide operating frequency
3. Solid Construction

### AC/DC Open Frame Switching Power Supply



#### General Characteristic

Our Open Frame Power Supply are designed by the nature cooling, low noise, low ripple, high efficiency with short circuit protection, over voltage and over current protection, etc.  
 MTBF: >100000 Hours  
 Safety:UL60065, EN60065,GB8898, AS/NZS60065  
 UL60950, EN60950, GB4943. AS/NZS60950

Environment Requirements			
Operating Temperature	-20°C to +40°C	Humidity	0-95%(Non-Condensing)
Storage Temperature	-20°C to +85°C	Cool Method	Nature Cooling
Input			
Rated Input Voltage	100-240Vac	Input Voltage Range	90-264Vac
Input Frequency	50/60Hz	Input Frequency Range	47-63Hz
Output			
Output Voltage / Current	Base on the requirement of customer	Line Regulation	±1%
Load Regulation	± 5%	Ripple & Noise	<200mVp-p
EMC			
Surge	>2.5KV	ESD	8KV/15KV
CE EMC	Pass	FCC Part 15 Class B	Pass



LED Driver

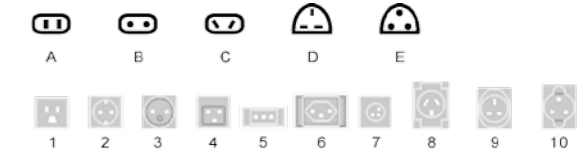


Constant Current Adjustable Power

- 1.Universal AC input/Full range(up to 265VAC)
- 2.Built-in active PFC function
- 3.High efficiency 90%
- 4.Protections: Short circuit/Overload/Over voltage/Over temperature
- 5.Cooling by free air convection
- 6.OCP point adjustable through output cable or internal potential meter
- 7.IP65 design for indoor or outdoor installations
- 8.Suitable for LED lighting and moving sign applications
- 9.Compliance to worldwide safety regulations for lighting
- 10.Output voltage and constant current level can be adjusted through internal potential meter

Model	LS-PAB120P-12	LS-PAB120P-24	LS-PAB120P-36	LS-PAB150P-12	LS-PAB150P-24	LS-PAB150P-36
DC voltage	12V	24V	36V	12V	24V	36V
Rated current	10A	5A	3.3A	12.5A	6A	4.2A
Rated power	120W	120W	120W	150W	150W	150W
Voltage adj.range	12V-24V	24-36V	36-48V	12V-24V	24-36V	36-48V
Current adj.range	3-6A	2.1-4.2A	1.6-3.2A	3-6A	2.1-4.2A	1.6-3.2A
Input Voltage range	100-264V					
Power factor	PF>0.95/230 PF>0.98/115VAC					
Efficiency	90%					
Protection	Short circuit/Overload/Over voltage/Over temperature					
Size	220*70*37.7(L*W*H)					

World Voltage & Plug list



Europe 欧洲				
Country or Region	国家或地区	Voltage 电压	Frequency (Hz)频率	Plugs & Sockets 插头和插座
Austria	奥地利	230	50	B2
Belgium	比利时	230	50	B2
Croatia	克罗地亚	230	50	B2
Czech Republic	捷克	230	50	B3
Denmark	丹麦	230	50	B4
Finland	芬兰	230	50	B2
France	法国	230	50	B2
Germany	德国	230	50	B2
Greece	希腊	230	50	B4
Hungary	匈牙利	230	50	B2
Iceland	冰岛	230	50	B2
Ireland	爱尔兰	230	50	B9
Italy	意大利	230	50	B5
Latvia	拉脱维亚	230	50	B2
Lithuania	立陶宛	230	50	B2
Monaco	摩纳哥	230	50	B2
Netherlands	荷兰	230	50	B2
Norway	挪威	230	50	B2
Poland	波兰	230	50	B2
Romania	罗马尼亚	230	50	B2 B6
Russia	俄罗斯	230	50	B2
Serbia	塞尔维亚	230	50	B2
Slovakia	斯洛伐克	230	50	B2
Spain	西班牙	230	50	B2
Sweden	瑞典	230	50	B2
Switzerland	瑞士	230	50	B2 B2
Ukraine	乌克兰	230	50	B4
United Kingdom	英国	230	50	B9

Asia 亚洲				
Country or Region	国家或地区	Voltage 电压	Frequency (Hz)频率	Plugs & Sockets 插头和插座
Armenia	亚美尼亚	230	50	B2
Bangladesh	孟加拉	230	50	B2 E10
China	中国	230	50	A1 C8
Hong Kong	香港	230	50	D9 A1
India	印度	230	50	B4 E10
Indonesia	印尼	110/220	50	B2
Iran	伊朗	230	50	B2
Iraq	伊拉克	230	50	B2 D9
Israel	以色列	230	50	B4
Japan	日本	230	50/60	A1
Jordan	约旦	230	50	B2 D9
Korea	韩国	110/220	50/60	B9 A1
Kuwait	科威特	230	50	B5 D9
Macau	澳门	230	50	B2 E10
Malaysia	马来西亚	230	50	B2
Mongolia	蒙古	230	50	B2
Myanmar	缅甸	230	50	D9 E10
Pakistan	巴基斯坦	230	50	B2 E10
Philippines	菲律宾	110/220	50	A1 B2
Qatar	卡塔尔	230	50	D9 E10
Saudi Arabia	沙特	127/220	50	A1 D9
Singapore	新加坡	230	50	B2 D9
Thailand	泰国	230	50	A1 B2
Turkey	土耳其	230	50	B2
Vietnam	越南	110/220	50	A1 B3
Syria	叙利亚	230	50	B2 B3
Yemen	也门	230	50	B2 B9

America 美洲				
Country or Region	国家或地区	Voltage 电压	Frequency (Hz)频率	Plugs & Sockets 插头和插座
Argentina	阿根廷	230	50	B2 C8
Brazil	巴西	110/220	60	A1 B2
Canada	加拿大	120	60	A1
Chile	智利	220	60	B2
Colombia	哥伦比亚	110	60	A1
Cuba	古巴	115	60	A1
Ecuador	厄瓜多尔	120	60	A1
Jamaica	牙买加	110	60	A1
Mexico	墨西哥	127	60	A1
Panama	巴拿马	110	60	A1
Peru	秘鲁	220	60	B2 B5
Puerto Rico	波多黎各	120	60	A1
Uruguay	乌拉圭	230	60	B2
USA	美国	120	60	A1
Venezuela	委内瑞拉	120	60	A1

America & Asia Pacific 非洲&大洋洲				
Country or Region	国家或地区	Voltage 电压	Frequency (Hz)频率	Plugs & Sockets 插头和插座
Angola	安哥拉	220	50	B2
Egypt	埃及	220	50	B2
Kenya	肯尼亚	220	50	B2
Libya	利比亚	110/220	50	B5
Morocco	摩洛哥	110/220	50	B2
Nigeria	尼日利亚	220	50	D9
South Africa	南非	220	50	E10 A1
Sudan	苏丹	220	50	B2 A1
Tanzania	坦桑尼亚	220	50	D9 A1
Togo	多哥	220	50	B2 B2
Tunisia	突尼斯	220	50	B2 A1
Zambia	赞比亚	220	50	B2 A1
Australia	澳大利亚	240	50	C8
Fiji	斐济	240	50	C8
New Zealand	新西兰	230	50	C8

Power Cables



**Available Cords**

H03VV-F 3G0.5mm <sup>2</sup>	16A 250V
H03VV-F 3G0.75mm <sup>2</sup>	16A 250V
H05VV-F 3G0.75mm <sup>2</sup>	16A 250V
H05VV-F 3G1.0mm <sup>2</sup>	16A 250V
H05VV-F 3G1.5mm <sup>2</sup>	16A 250V
H05RR-F 3G0.75mm <sup>2</sup>	16A 250V
H05RR-F 3G1.0mm <sup>2</sup>	16A 250V
H05RR-F 3G1.5mm <sup>2</sup>	16A 250V
H05RN-F 3G0.75mm <sup>2</sup>	16A 250V
H05RN-F 3G1.0mm <sup>2</sup>	16A 250V
H03RT-H 3G0.75mm <sup>2</sup>	16A 250V



**Available Cords**

H03VV-F 3G0.5mm <sup>2</sup>	16A 250V
H03VV-F 3G0.75mm <sup>2</sup>	16A 250V
H05VV-F 3G0.75mm <sup>2</sup>	16A 250V
H05VV-F 3G1.0mm <sup>2</sup>	16A 250V
H05VV-F 3G1.5mm <sup>2</sup>	16A 250V
H05RR-F 3G0.75mm <sup>2</sup>	16A 250V
H05RR-F 3G1.0mm <sup>2</sup>	16A 250V
H05RR-F 3G1.5mm <sup>2</sup>	16A 250V
H05RN-F 3G0.75mm <sup>2</sup>	16A 250V
H05RN-F 3G1.0mm <sup>2</sup>	16A 250V
H03RT-H 3G0.75mm <sup>2</sup>	16A 250V
H03RT-H 3G1.0mm <sup>2</sup>	16A 250V



**Available Cords**

H03VVH2-F 2×0.5mm <sup>2</sup>	2.5A 250V
H03VVH2-F 2×0.75mm <sup>2</sup>	2.5A 250V
H05VVH2-F 2×0.75mm <sup>2</sup>	2.5A 250V
H03VV-F 2×0.75mm <sup>2</sup>	2.5A 250V
H05VV-F 2×0.75mm <sup>2</sup>	2.5A 250V
H03VV-F 2×0.5mm <sup>2</sup>	2.5A 250V



**Available Cords**

H03VVH2-F 2×0.5mm <sup>2</sup>	2.5A 250V
H03VVH2-F 2×0.75mm <sup>2</sup>	2.5A 250V
H05VVH2-F 2×0.75mm <sup>2</sup>	2.5A 250V



**Available Cords**

H03VVH2-F 2×0.75mm <sup>2</sup>	16A 250V
H05VVH2-F 2×0.75mm <sup>2</sup>	16A 250V
H03VV-F 2×0.75mm <sup>2</sup>	16A 250V
H05VV-F 2×0.75mm <sup>2</sup>	16A 250V
H05VV-F 2×1.0mm <sup>2</sup>	16A 250V
H05RR-F 2×0.75mm <sup>2</sup>	16A 250V
H05RR-F 2×1.0mm <sup>2</sup>	16A 250V
H05RN-F 2×0.75mm <sup>2</sup>	16A 250V
H05RN-F 2×1.0mm <sup>2</sup>	16A 250V



**Available Cords**

H03RT-H 2×0.75mm <sup>2</sup>	16A 250V
H03RT-H 2×1.0mm <sup>2</sup>	16A 250V
H03RT-H 2×1.5mm <sup>2</sup>	16A 250V
H05VV-F 2×1.5mm <sup>2</sup>	16A 250V
H05RR-F 2×1.5mm <sup>2</sup>	16A 250V
H07RN-F 2×1.0mm <sup>2</sup>	16A 250V
H07RN-F 2×1.5mm <sup>2</sup>	16A 250V



**Available Cords**

H05VV-F 3G0.75mm <sup>2</sup>	10A 250V
H05VV-F 3G1.0mm <sup>2</sup>	10A 250V
H05RR-F 3G0.75mm <sup>2</sup>	10A 250V
H05RR-F 3G1.0mm <sup>2</sup>	10A 250V



**Available Cords**

H05RR-F 2×0.75mm <sup>2</sup>	2.5A 250V
H05RN-F 2×0.75mm <sup>2</sup>	2.5A 250V
H03RT-H 2×0.75mm <sup>2</sup>	2.5A 250V
H03RT-H 2×1.0mm <sup>2</sup>	2.5A 250V



**Available Cords**

H05RR-F 3G0.75mm <sup>2</sup>	10A 250V
H05RR-F 3G1.0mm <sup>2</sup>	10A 250V
H05RN-F 3G0.75mm <sup>2</sup>	10A 250V
H05RN-F 3G1.0mm <sup>2</sup>	10A 250V



**Available Cords**

H05RR-F 3G0.75mm <sup>2</sup>	16A 250V
H05RR-F 3G1.0mm <sup>2</sup>	16A 250V
H05RR-F 3G1.5mm <sup>2</sup>	16A 250V
H05RN-F 3G0.75mm <sup>2</sup>	16A 250V
H05RN-F 3G1.0mm <sup>2</sup>	16A 250V



**Available Cords**

H03VVH2-F 2×0.5mm <sup>2</sup>	2.5A 250V
H03VVH2-F 2×0.75mm <sup>2</sup>	2.5A 250V
H05VVH2-F 2×0.75mm <sup>2</sup>	2.5A 250V



**Available Cords**

H03VV-F 3G0.75mm <sup>2</sup>	2.5A 250V
H05VV-F 3G0.75mm <sup>2</sup>	2.5A 250V
H05RR-F 3G0.75mm <sup>2</sup>	2.5A 250V
H05RN-F 3G0.75mm <sup>2</sup>	2.5A 250V



MODEL: VK-9928

Available Cords

H03VV-F 3G0.75mm <sup>2</sup>	16A 250V
H05VV-F 3G0.75mm <sup>2</sup>	16A 250V
H05VV-F 3G1.0mm <sup>2</sup>	16A 250V
H05VV-F 3G1.5mm <sup>2</sup>	16A 250V
H05RR-F 3G0.75mm <sup>2</sup>	16A 250V
H05RR-F 3G1.0mm <sup>2</sup>	16A 250V
H05RR-F 3G1.5mm <sup>2</sup>	16A 250V
H05RN-F 3G0.75mm <sup>2</sup>	16A 250V
H05RN-F 3G1.0mm <sup>2</sup>	16A 250V
H03RT-H 3G0.75mm <sup>2</sup>	16A 250V
H03RT-H 3G1.0mm <sup>2</sup>	16A 250V
H03VV-F 3G0.5mm <sup>2</sup>	



MODEL: VK-9935

Available Cords

H05VV-F 2×1.0mm <sup>2</sup>	12A 250V
H05RR-F 2×1.0mm <sup>2</sup>	12A 250V
H05RN-F 2×1.0mm <sup>2</sup>	12A 250V
H03RT-F 2×1.0mm <sup>2</sup>	12A 250V
H05VV-F 2×1.5mm <sup>2</sup>	16A 250V
H05RR-F 2×1.5mm <sup>2</sup>	16A 250V
H03RT-H 2×1.5mm <sup>2</sup>	16A 250V
H05VV-F 2×2.5mm <sup>2</sup>	20A 250V
H05RR-F 2×2.5mm <sup>2</sup>	20A 250V



MODEL: VK-9936

Available Cords

H05VV-F 3G1.0mm <sup>2</sup>	12A 250V
H05RR-F 3G1.0mm <sup>2</sup>	12A 250V
H05RN-F 3G1.0mm <sup>2</sup>	12A 250V
H05RT-H 3G1.0mm <sup>2</sup>	12A 250V
H05VV-F 3G1.5mm <sup>2</sup>	16A 250V
H05RR-F 3G1.5mm <sup>2</sup>	16A 250V
H03RT-H 3G1.5mm <sup>2</sup>	16A 250V
H05VV-F 3G2.5mm <sup>2</sup>	20A 250V
H05RR-F 3G2.5mm <sup>2</sup>	20A 250V



MODEL: VK-9927

Available Cords

H03VVH2-F 2×0.75mm <sup>2</sup>	10A 250V
H05VVH2-F 2×0.75mm <sup>2</sup>	10A 250V
H03VV-F 2×0.75mm <sup>2</sup>	10A 250V
H05VV-F 2×0.75mm <sup>2</sup>	10A 250V
H05VV-F 2×1.0mm <sup>2</sup>	10A 250V
H05RR-F 2×0.75mm <sup>2</sup>	10A 250V
H05RR-F 2×1.0mm <sup>2</sup>	10A 250V
H05RN-F 2×0.75mm <sup>2</sup>	10A 250V
H05RN-F 2×1.0mm <sup>2</sup>	10A 250V
H03RT-H 2×0.75mm <sup>2</sup>	10A 250V
H03RT-H 2×1.0mm <sup>2</sup>	10A 250V
H03VVH2-F 2×0.5mm <sup>2</sup>	2.5A 250V
H03VV-F 2×0.5mm <sup>2</sup>	2.5A 250V



MODEL: VK-9906

Available Cords

H03VV-F 3G0.5mm <sup>2</sup>	6A 250V
H03VV-F 3G0.75mm <sup>2</sup>	6A 250V
H05VV-F 3G0.75mm <sup>2</sup>	6A 250V
H05VV-F 3G1.0mm <sup>2</sup>	6A 250V
H05RR-F 3G0.75mm <sup>2</sup>	6A 250V
H05RR-F 3G1.0mm <sup>2</sup>	6A 250V
H05RN-F 3G0.75mm <sup>2</sup>	6A 250V
H05RN-F 3G1.0mm <sup>2</sup>	6A 250V



MODEL: VK-9907

Available Cords

H03VV-F 3G0.5mm <sup>2</sup>	16A 250V
H03VV-F 3G0.75mm <sup>2</sup>	16A 250V
H05VV-F 3G0.75mm <sup>2</sup>	16A 250V
H05VV-F 3G1.0mm <sup>2</sup>	16A 250V
H05RR-F 3G0.75mm <sup>2</sup>	16A 250V
H05RR-F 3G1.0mm <sup>2</sup>	16A 250V
H05RR-F 3G1.5mm <sup>2</sup>	16A 250V
H05RN-F 3G0.75mm <sup>2</sup>	16A 250V
H05RN-F 3G1.0mm <sup>2</sup>	16A 250V



MODEL: VK-9908

Available Cords

H03VVH2-F 2×0.75mm <sup>2</sup>	7.5A 250V
H05VVH2-F 2×0.75mm <sup>2</sup>	7.5A 250V
H03VV-F 2×0.75mm <sup>2</sup>	7.5A 250V
H05VV-F 2×0.75mm <sup>2</sup>	7.5A 250V
H05VV-F 2×1.0mm <sup>2</sup>	10A 250V
H05RR-F 2×0.75mm <sup>2</sup>	7.5A 250V
H05RR-F 2×1.0mm <sup>2</sup>	10A 250V
H05RN-F 2×0.75mm <sup>2</sup>	7.5A 250V
H05RN-F 2×1.0mm <sup>2</sup>	10A 250V



MODEL: VK-9909

Available Cords

H03VV-F 3G0.75mm <sup>2</sup>	7.5A 250V
H05VV-F 3G0.75mm <sup>2</sup>	7.5A 250V
H05VV-F 3G1.0mm <sup>2</sup>	10A 250V
H05RR-F 3G0.75mm <sup>2</sup>	7.5A 250V
H05RR-F 3G1.0mm <sup>2</sup>	10A 250V
H05RN-F 3G0.75mm <sup>2</sup>	7.5A 250V
H05RN-F 3G1.0mm <sup>2</sup>	10A 250V



MODEL: VK-9911

Available Cords

H03VV-F 3G0.75mm <sup>2</sup>	10A 250V
H05VV-F 3G0.75mm <sup>2</sup>	10A 250V
H05VV-F 3G1.0mm <sup>2</sup>	10A 250V
H05VV-F 3G1.5mm <sup>2</sup>	10A 250V
H05RR-F 3G0.75mm <sup>2</sup>	10A 250V
H05RR-F 3G1.0mm <sup>2</sup>	10A 250V
H05RR-F 3G1.5mm <sup>2</sup>	10A 250V
H05RN-F 3G0.75mm <sup>2</sup>	10A 250V
H05RN-F 3G1.0mm <sup>2</sup>	10A 250V
H03RT-H 3G0.75mm <sup>2</sup>	10A 250V
H03RT-H 3G1.0mm <sup>2</sup>	10A 250V
H03RT-H 3G1.5mm <sup>2</sup>	10A 250V



MODEL: VK-9912

Available Cords

H03VVH2-F 2×0.75mm <sup>2</sup>	10A 250V
H05VVH2-F 2×0.75mm <sup>2</sup>	10A 250V
H03VV-F 2×0.75mm <sup>2</sup>	10A 250V
H05VV-F 2×0.75mm <sup>2</sup>	10A 250V
H05VV-F 2×1.0mm <sup>2</sup>	10A 250V
H05RR-F 2×0.75mm <sup>2</sup>	10A 250V
H05RR-F 2×1.0mm <sup>2</sup>	10A 250V
H05RN-F 2×0.75mm <sup>2</sup>	10A 250V
H05RN-F 2×1.0mm <sup>2</sup>	10A 250V
H03RT-H 2×0.75mm <sup>2</sup>	10A 250V
H03RT-H 2×1.0mm <sup>2</sup>	10A 250V



MODEL: VK-9914

Available Cords

H03VV-F 3G0.75mm <sup>2</sup>	10A 250V
H05VV-F 3G0.75mm <sup>2</sup>	10A 250V
H05VV-F 3G1.0mm <sup>2</sup>	10A 250V
H05VV-F 3G1.5mm <sup>2</sup>	10A 250V
H05RR-F 3G0.75mm <sup>2</sup>	10A 250V
H05RR-F 3G1.0mm <sup>2</sup>	10A 250V
H05RR-F 3G1.5mm <sup>2</sup>	10A 250V
H05RN-F 3G0.75mm <sup>2</sup>	10A 250V
H05RN-F 3G1.0mm <sup>2</sup>	10A 250V
H03RT-H 3G0.75mm <sup>2</sup>	10A 250V
H03RT-H 3G1.0mm <sup>2</sup>	10A 250V



MODEL: VK-9915

Available Cords

H03VVH2-F 2×0.75mm <sup>2</sup>	10A 250V
H05VVH2-F 2×0.75mm <sup>2</sup>	10A 250V
H03VV-F 2×0.75mm <sup>2</sup>	10A 250V
H05VV-F 2×0.75mm <sup>2</sup>	10A 250V
H05VV-F 2×1.0mm <sup>2</sup>	10A 250V
H05RR-F 2×0.75mm <sup>2</sup>	10A 250V
H05RR-F 2×1.0mm <sup>2</sup>	10A 250V
H05RN-F 2×0.75mm <sup>2</sup>	10A 250V
H05RN-F 2×1.0mm <sup>2</sup>	10A 250V



MODEL: VK-9916

Available Cords

H03VV-F 3G0.75mm <sup>2</sup>	10A 250V
H05VV-F 3G0.75mm <sup>2</sup>	10A 250V
H05VV-F 3G1.0mm <sup>2</sup>	10A 250V
H05VV-F 3G1.5mm <sup>2</sup>	10A 250V
H05RR-F 3G0.75mm <sup>2</sup>	10A 250V
H05RR-F 3G1.0mm <sup>2</sup>	10A 250V
H05RR-F 3G1.5mm <sup>2</sup>	10A 250V
H05RN-F 3G0.75mm <sup>2</sup>	10A 250V
H05RN-F 3G1.0mm <sup>2</sup>	10A 250V
H05RR-F 3G1.5mm <sup>2</sup>	10A 250V



MODEL: VK-9916A

Available Cords

H05VV-F 3G1.5mm <sup>2</sup>	20A 250V
H05RR-F 3G1.5mm <sup>2</sup>	20A 250V
H05VV-F 3G2.5mm <sup>2</sup>	20A 250V
H05RR-F 3G2.5mm <sup>2</sup>	20A 250V



MODEL: VK-9917

Available Cords

H03VVH2-F 2×0.75mm <sup>2</sup>	13A 250V
H05VVH2-F 2×0.75mm <sup>2</sup>	13A 250V
H03VV-F 2×0.75mm <sup>2</sup>	13A 250V
H05VV-F 2×0.75mm <sup>2</sup>	13A 250V
H05VV-F 2×1.0mm <sup>2</sup>	13A 250V



MODEL: VK-9917

Available Cords

H03VVH2-F 2×0.75mm <sup>2</sup>	13A 250V
H05VVH2-F 2×0.75mm <sup>2</sup>	13A 250V
H03VV-F 2×0.75mm <sup>2</sup>	13A 250V
H05VV-F 2×0.75mm <sup>2</sup>	13A 250V
H05VV-F 2×1.0mm <sup>2</sup>	13A 250V
H03VV-F 3G0.75mm <sup>2</sup>	13A 250V
H05VV-F 3G0.75mm <sup>2</sup>	13A 250V
H05VV-F 3G1.0mm <sup>2</sup>	13A 250V
H05VV-F 3G1.5mm <sup>2</sup>	13A 250V
H05RR-F 3G0.75mm <sup>2</sup>	13A 250V
H05RR-F 3G1.0mm <sup>2</sup>	13A 250V
H05RR-F 3G1.5mm <sup>2</sup>	13A 250V
H05RN-F 3G0.75mm <sup>2</sup>	13A 250V
H05RN-F 3G1.0mm <sup>2</sup>	13A 250V



MODEL: VK-9933

Available Cords

H03VVH2-F 2×0.5mm <sup>2</sup>	13A 250V
H03VVH2-F 2×0.75mm <sup>2</sup>	13A 250V
H05VVH2-F 2×0.75mm <sup>2</sup>	13A 250V
H03VV-F 2×0.5mm <sup>2</sup>	13A 250V
H03VV-F 2×0.75mm <sup>2</sup>	13A 250V
H05VV-F 2×1.0mm <sup>2</sup>	13A 250V
H03VVH2-F 3G0.5mm <sup>2</sup>	13A 250V
H03VVH2-F 3G0.75mm <sup>2</sup>	13A 250V
H05VV-F 3G1.0mm <sup>2</sup>	13A 250V
H05VV-F 3G1.5mm <sup>2</sup>	13A 250V
H05RR-F 2×0.75mm <sup>2</sup>	13A 250V
H05RR-F 2×1.0mm <sup>2</sup>	13A 250V
H05RR-F 3G0.75mm <sup>2</sup>	13A 250V
H05RR-F 3G1.0mm <sup>2</sup>	13A 250V
H05RR-F 3G1.5mm <sup>2</sup>	13A 250V
H05RN-F 2×0.75mm <sup>2</sup>	13A 250V
H05RN-F 2×1.0mm <sup>2</sup>	13A 250V
H03RT-H 2×0.75mm <sup>2</sup>	13A 250V
H03RT-H 2×1.0mm <sup>2</sup>	13A 250V
H03RT-H 3G0.75mm <sup>2</sup>	13A 250V
H03RT-H 3G1.0mm <sup>2</sup>	13A 250V
H03RT-H 3G1.5mm <sup>2</sup>	13A 250V



MODEL: VK-9933

Available Cords

H03VVH2-F 2×0.5mm <sup>2</sup>	13A 250V
H03VVH2-F 2×0.75mm <sup>2</sup>	13A 250V
H05VVH2-F 2×0.75mm <sup>2</sup>	13A 250V
H03VV-F 2×0.5mm <sup>2</sup>	13A 250V
H03VV-F 2×0.75mm <sup>2</sup>	13A 250V
H05VV-F 2×0.75mm <sup>2</sup>	13A 250V
H05VV-F 2×1.0mm <sup>2</sup>	13A 250V
H05RR-F 2×0.75mm <sup>2</sup>	13A 250V
H05RR-F 2×1.0mm <sup>2</sup>	13A 250V
H05RN-F 2×0.75mm <sup>2</sup>	13A 250V
H05RN-F 2×1.0mm <sup>2</sup>	13A 250V
H03RT-H 2×0.75mm <sup>2</sup>	13A 250V
H03RT-H 2×1.0mm <sup>2</sup>	13A 250V

Available Cords

H03VV-F 3G0.5mm <sup>2</sup>	3A 250V
H03VV-F 3G0.75mm <sup>2</sup>	6A 250V
H05VV-F 3G0.75mm <sup>2</sup>	6A 250V
H05VV-F 3G1.0mm <sup>2</sup>	10A 250V
H05VV-F 3G1.5mm <sup>2</sup>	15A 250V
H05RR-F 3G0.75mm <sup>2</sup>	6A 250V
H05RR-F 3G1.0mm <sup>2</sup>	10A 250V
H05RR-F 3G1.5mm <sup>2</sup>	15A 250V
H05RN-F 3G0.75mm <sup>2</sup>	6A 250V
H05RN-F 3G1.0mm <sup>2</sup>	10A 250V
H03RT-H 3G0.75mm <sup>2</sup>	6A 250V
H03RT-H 3G1.0mm <sup>2</sup>	10A 250V
H03RT-H 3G1.5mm <sup>2</sup>	15A 250V



MODEL: VK-9948

Available Cords

H03VVH2-F 3G0.5mm <sup>2</sup>	3A 250V
H03VVH2-F 3G0.75mm <sup>2</sup>	5A 250V
H05VVH2-F 3G0.75mm <sup>2</sup>	5A 250V
H05VV-F 3G1.0mm <sup>2</sup>	5A 250V
H05RR-F 3G0.75mm <sup>2</sup>	5A 250V
H05RR-F 3G1.0mm <sup>2</sup>	5A 250V
H05RN-F 3G0.75mm <sup>2</sup>	5A 250V
H05RN-F 3G1.0mm <sup>2</sup>	5A 250V
H03RT-H 3G0.75mm <sup>2</sup>	5A 250V
H03RT-H 3G1.0mm <sup>2</sup>	5A 250V



MODEL: VK-9949



MODEL: VK-9921

Available Cords

SPT-1 18AWG×2C	10A 125V
SPT-1W 18AWG×2C	10A 125V
SPT-2 18AWG×2C	10A 125V
SPT-2W 18AWG×2C	10A 125V
NISPT-1 18AWG×2C	10A 125V
NISPT-2 18AWG×2C	10A 125V
HPN 18AWG×2C	10A 125V
SPT-2 16AWG×2C	13A 125V
SPT-2W 16AWG×2C	13A 125V
NISPT-2 16AWG×2C	13A 125V
HPN 16AWG×2C	15A 125V



MODEL: VK-9921T

Available Cords

SVT 18AWG×2C	10A 125V
SJT 18AWG×2C	10A 125V
SJTO 18AWG×2C	10A 125V
SJTW 18AWG×2C	10A 125V
SJTOW 18AWG×2C	10A 125V
SVT 16AWG×2C	13A 125V
SJT 16AWG×2C	13A 125V
SJTO 16AWG×2C	13A 125V
SJTW 16AWG×2C	13A 125V
SJTOW 16AWG×2C	13A 125V
SJT 14AWG×2C	15A 125V
SJTO 14AWG×2C	15A 125V
SJTW 14AWG×2C	15A 125V
SJTOW 14AWG×2C	15A 125V



MODEL: VK-9922S

Available Cords

SPT-2 18AWG×3C	10A 250V
HPN 18AWG×3C	10A 250V
SVT 18AWG×3C	10A 250V
SJT 18AWG×3C	10A 250V
SPT-2 16AWG×3C	13A 250V
SJT 16AWG×3C	13A 250V
HPN 16AWG×3C	15A 250V



MODEL: VK-9923

Available Cords

SPT-1 18AWG×3C	10A 125V
SPT-2 18AWG×3C	10A 125V
SVT 18AWG×3C	10A 125V
SJT 18AWG×3C	10A 125V
SPT-2 16AWG×3C	13A 125V
SVT 16AWG×3C	13A 125V
SJT 16AWG×3C	13A 125V
HPN 18AWG×3C	10A 125V
HPN 16AWG×3C	15A 125V



MODEL: VK-9921S

Available Cords

SPT-2 18AWG×2C	10A 125V
NISPT-2 18AWG×2C	10A 125V
SVT 18AWG×2C	10A 125V
SPT-2 16AWG×2C	13A 125V
NISPT-2 16AWG×2C	13A 125V



MODEL: VK-9921V

Available Cords

SVT 18AWG×2C	10A 125V
SVTO 18AWG×2C	10A 125V
SVTOO 18AWG×2C	10A 125V
SJT 18AWG×2C	10A 125V
SJTO 18AWG×2C	10A 125V
SJTW 18AWG×2C	10A 125V
SJTOW 18AWG×2C	10A 125V
SVT 16AWG×2C	13A 125V
SVTO 16AWG×2C	13A 125V
SVTOO 16AWG×2C	13A 125V
SJT 16AWG×2C	13A 125V
SJTO 16AWG×2C	13A 125V



MODEL: VK-9923R

Available Cords

SPT-1 18AWG×3C	10A 125V
SPT-2 18AWG×3C	10A 125V
SVT 18AWG×3C	10A 125V
SJT 18AWG×3C	10A 125V
SPT-2 16AWG×3C	13A 125V
SVT 16AWG×3C	13A 125V
SJT 16AWG×3C	13A 125V



MODEL: VK-9923L

Available Cords

SPT-1 18AWG×3C	10A 125V
SPT-2 18AWG×3C	10A 125V
SVT 18AWG×3C	10A 125V
SJT 18AWG×3C	10A 125V
SPT-2 16AWG×3C	13A 125V
SVT 16AWG×3C	13A 125V
SJT 16AWG×3C	13A 125V



MODEL: VK-9922A

Available Cords

SPT-1 18AWG×3C	10A 125V
SPT-2 18AWG×3C	10A 125V
SPT-3 18AWG×3C	10A 125V
HPN 18AWG×3C	10A 125V
SVT 18AWG×3C	10A 125V
SVTO 18AWG×3C	10A 125V
SVTOO 18AWG×3C	10A 125V
SJT 18AWG×3C	10A 125V
SJTW 18AWG×3C	10A 125V
SJTO 18AWG×3C	10A 125V
SJTOO 18AWG×3C	10A 125V
SJTOW 18AWG×3C	10A 125V
SJTOOW 18AWG×3C	10A 125V
SPT-2 16AWG×3C	13A 125V
SPT-3 16AWG×3C	13A 125V
SVT 16AWG×3C	13A 125V
SVTO 16AWG×3C	13A 125V
SVTOO 16AWG×3C	13A 125V
SJT 16AWG×3C	13A 125V
SJTW 16AWG×3C	13A 125V
SJTO 16AWG×3C	13A 125V
SJTOO 16AWG×3C	13A 125V
SJTOW 16AWG×3C	13A 125V
SJTOOW 16AWG×3C	13A 125V
HPN 16AWG×3C	15A 125V
SJT 14AWG×3C	15A 125V
SJTW 14AWG×3C	15A 125V
SJTO 14AWG×3C	15A 125V
SJTOO 14AWG×3C	15A 125V
SJTOW 14AWG×3C	15A 125V
SJTOOW 14AWG×3C	15A 125V



MODEL: VK-9922L

Available Cords

SPT-1 18AWG×3C	10A 125V
SPT-2 18AWG×3C	10A 125V
SPT-3 18AWG×3C	10A 125V
HPN 18AWG×3C	10A 125V
SVT 18AWG×3C	10A 125V
SVTO 18AWG×3C	10A 125V
SVTOO 18AWG×3C	10A 125V
SJT 18AWG×3C	10A 125V
SJTW 18AWG×3C	10A 125V
SJTO 18AWG×3C	10A 125V
SJTOO 18AWG×3C	10A 125V
SJTOW 18AWG×3C	10A 125V
SJTOOW 18AWG×3C	10A 125V
SPT-2 16AWG×3C	13A 125V
SPT-3 16AWG×3C	13A 125V
SVT 16AWG×3C	13A 125V
SVTO 16AWG×3C	13A 125V
SVTOO 16AWG×3C	13A 125V
SJT 16AWG×3C	13A 125V
SJTW 16AWG×3C	13A 125V
SJTO 16AWG×3C	13A 125V
SJTOO 16AWG×3C	13A 125V
SJTOW 16AWG×3C	13A 125V
SJTOOW 16AWG×3C	13A 125V
HPN 16AWG×3C	15A 125V
SJT 14AWG×3C	15A 125V
SJTW 14AWG×3C	15A 125V
SJTO 14AWG×3C	15A 125V
SJTOO 14AWG×3C	15A 125V
SJTOW 14AWG×3C	15A 125V
SJTOOW 14AWG×3C	15A 125V



MODEL: VK-9925

Available Cords

SPT-1 18AWG×2C	10A 125V
SPT-2 18AWG×2C	10A 125V
NISPT-1 18AWG×2C	10A 125V
NISPT-2 18AWG×2C	10A 125V



MODEL: VK-9926

Available Cords

SPT-1 18AWG×3C	10A 125V
SPT-2 18AWG×3C	10A 125V
SVT 18AWG×3C	10A 125V
SJT 18AWG×3C	10A 125V
SPT-2 16AWG×3C	13A 125V
SVT 16AWG×3C	13A 125V
SJT 16AWG×3C	13A 125V



MODEL: VK-9929

Available Cords

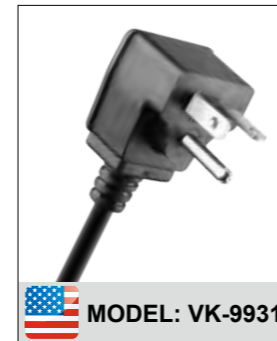
SPT-1 18AWG×3C	10A 125V
SPT-2 18AWG×3C	10A 125V
HPN 18AWG×3C	10A 125V
SVT 18AWG×3C	10A 125V
SJT 18AWG×3C	10A 125V



MODEL: VK-9934

Available Cords

SPT-1 18AWG×2C	10A 125V
SPT-2 18AWG×2C	10A 125V
NISPT-1 18AWG×2C	10A 125V
NISPT-2 18AWG×2C	10A 125V
HPN 18AWG×2C	10A 125V



MODEL: VK-9931

Available Cords

SJTW 12AWG×3C	20A 125V
SJTOW 18AWG×3C	10A 125V
SJTOW 16AWG×3C	13A 125V
SJTOW 14AWG×3C	15A 125V
SJTOW 12AWG×3C	20A 125V
ST 18AWG×3C	10A 125V
ST 16AWG×3C	13A 125V
ST 14AWG×3C	15A 125V
ST 12AWG×3C	20A 125V
STO 18AWG×3C	10A 125V
STO 16AWG×3C	13A 125V
STO 14AWG×3C	15A 125V
STO 12AWG×3C	20A 125V
STW 18AWG×3C	10A 125V
STW 16AWG×3C	13A 125V
STW 14AWG×3C	15A 125V
STW 12AWG×3C	20A 125V
STOW 18AWG×3C	10A 125V
STOW 16AWG×3C	13A 125V
STOW 14AWG×3C	15A 125V
STOW 12AWG×3C	20A 125V



MODEL: VK-9947

Available Cords

SPT-1 18AWG×3C	10A 125V
SPT-2 18AWG×3C	10A 125V
SPT-2 16AWG×3C	13A 125V
SPT-3 18AWG×3C	10A 125V
SPT-3 16AWG×3C	13A 125V
HPN 18AWG×3C	10A 125V
HPN 16AWG×3C	15A 125V
SVT 18AWG×3C	10A 125V
SVT 16AWG×3C	13A 125V
SVTO 18AWG×3C	10A 125V
SVTO 16AWG×3C	13A 125V
SJT 18AWG×3C	10A 125V
SJT 16AWG×3C	13A 125V
SJT 14AWG×3C	15A 125V
SJTO 18AWG×3C	10A 125V
SJTO 16AWG×3C	13A 125V
SJTO 14AWG×3C	15A 125V
SJTW 18AWG×3C	10A 125V
SJTW 16AWG×3C	13A 125V
SJTW 14AWG×3C	15A 125V
SJTOW 18AWG×3C	10A 125V
SJTOW 16AWG×3C	13A 125V
SJTOW 14AWG×3C	15A 125V



MODEL: VK-9958

Available Cords

SPT-2-R 18AWG×2C	2.5A/5A 125V
SPT-2-R 16AWG×2C	2.5A/5A 125V

Cable Collections



**VK-HDMI-CH06**

High Speed With Ethernet  
HDMI 19P MALE TO MALE  
Support 3D 1080P  
Audio Return Channel  
Length: 1.5 m



**VK-HDMI-CH07**

High Speed With Ethernet  
HDMI 19P MALE TO MALE  
Support 3D 1080P  
Audio Return Channel  
Length: 1.5 m



**VK-HDMI-CH08**

High Speed With Ethernet  
HDMI 19P MALE TO MALE  
Support 3D 1080P  
Audio Return Channel  
Length: 2.0m

**DS-1100 MULTI I/O TERMINAL BOARD**



The DS-1100 is new developed to meet the needs of your comport and easy to connect the I/O cables on your TV Display Entertainment Wall Unit

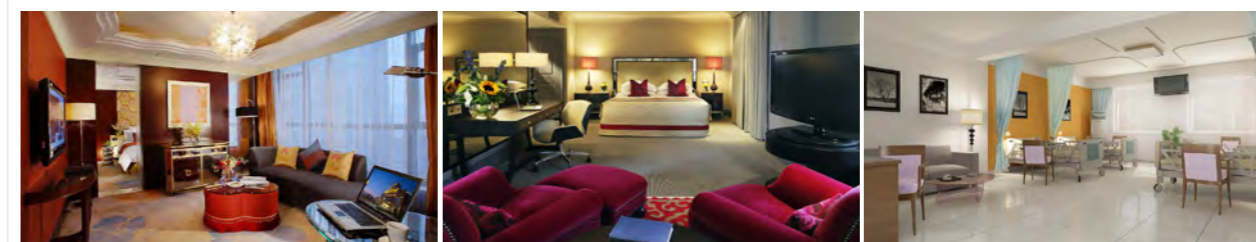
Application	Digital Camera	Stereo Equipment
Play station	HDD,PC,Lan	Video,DVD
Notebook	Mobile Phon	CD-Playeror

**Specification**

ISize	290mm(L)*67mm(W)*64mm(H)
Cable Length	2.2M
Color	White
Joint Cable Diameter	23mm
Compatible	1*HDMI(Ver 1.4) 2*USB 1*D-sub(Monitor) 1*Stereo 1*Lan 1*R.G.B 2 sets component(6 Terminal)

**Features**

It is compatible with LCD, PC and Braun tube TV  
Cable length: Max\*2.2(86.6 inch)  
Hot Plug-and-Play  
No driver needed  
No power needed  
Easy to connect the I/O cables





VISTEK TECHNOLOGY (SHENZHEN) CO., LTD.

The logo for Vistek Technology, featuring the word "vistDek" in a stylized, lowercase font. The "D" is significantly larger and more prominent than the other letters. The background of the logo area is a blue gradient with a pattern of overlapping, semi-transparent squares.

HK Office

Unite A&B 15/F Neich Tower,  
128 Gloucester Road Wanchai, Hong Kong.

US. Office:

4011 Camino Ranchero  
Building 1 Unit E  
Camarillo Ca. 93012

China Office

Unite 605 Yongzhen Building NO. 278  
Defeng Road Fuyong Shenzhen G.D. China.

China Factory

A&B Floors, Fu Runxin Industrial Park,  
Guiyue Road, Guanlan, Shenzhen G.D. China.

[www.vistektechnology.com](http://www.vistektechnology.com)

E-mail: [sales@vistektechnology.com](mailto:sales@vistektechnology.com)

TEL: +86-755-61183820 (16line)

FAX: +86-755-61183823

This publication is for informational purposes, product information subject to change, please prevail in kind, the publication of the final interpretation of the contents of vistek technology Co.,Ltd. all.